



Tactical Handheld Controller

SMALL AND ROBUST GROUND CONTROLLER WITH HIGHLY INTUITIVE CYBERSECURE INTERFACE TO CONTROL AND MONITOR MULTIPLE UNCREWED VEHICLES AND POLE CAMERA HEADS INCLUDING OPERATION OF THEIR PLUG-IN PAYLOADS AND SENSORS

Ruggedized and very lightweight, designed to fit operator's bodyworn equipment, the **GCS MkII** has an intuitive control interface delivering the best viewing experience for any pilot in any lighting environment.

It is designed as the ideal tactical controller, providing aerial and/or terrestrial device control, whilst collecting mission critical intel.

Whilst avoiding communication via public networks, the **GCS MkII** uses a strong encryption algorithm to secure data related to control of uncrewed vehicles and payload activation; making it virtually un-hackable.



Up-to 4x vehicles/cams
Simultaneous control of up to 4 vectors, giving a single operator multiple tools with which to collect intel



Ergonomic
With no protruding parts, the GCS fits into any operator's pocket or on his chest using its custom-made cover

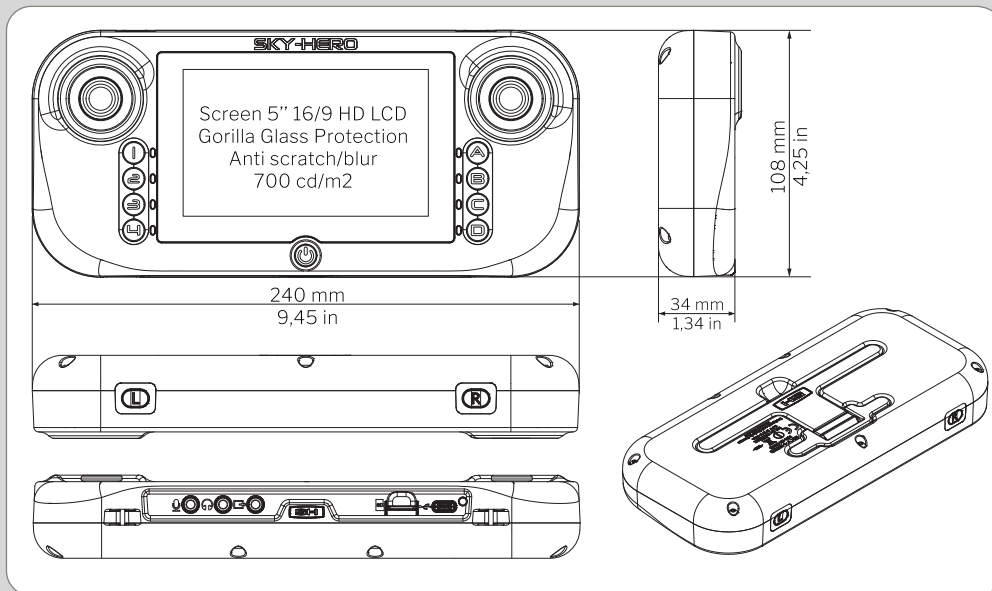


Indoor RF Efficiency
The GCS embeds top-in-class RF technology that offers the best range for interior and out-of-sight operations whatever the obstacles



No Public Networks
Our purpose-built flight controller does not require internet service, GPS, phone or tablet for deployment

#1 BLUEPRINT



#2 SPECS

Autonomy	200 min.
Weight battery incl.	640 gr 1,41 lb
Ops Temperature	-20°C to 50°C -4°F to 122°F
Power Supply	Li-Ion 6300 mAh Embedded Battery 3,7V
Video Reception	
■ 99 db dual ISM receivers 5,8 Ghz ■ Embedded 9 dbi ceramic array antenna ■ FPGA scrambled	
Command & Control	
■ 868-915 UHF ■ AES256 encrypted	
Connector	
■ USB-C main connector ■ Audio out jack 3,5 mm ■ Audio-video out/in jack 3,5 mm	

#3 FEATURES

- Robust against any communication delay and offering progressive signal degradation, our GCS provides the operator with **steady and reliable AES 256 encrypted control** of the uncrewed vehicles
 - Deployable antennas, integrated joysticks, **all aspects completely flush with outer structure**
 - **Diversified analog audio/video receptors**, running a 8 bit FPGA scrambling while avoiding any lag or frozen pictures
 - **No cellular network, GPS, applications or smartphones required**
 - Audio/video RCA output
 - **Wireless observer mode** for team leader
 - Multi GCS cooperative mode (wired or wireless)
 - SD port for software revision and upgrades

**Enhance the safety
of indoor missions**

#4 ADD-ONS

- **Padded protective GCS cover** to be clamped directly to armour systems via MOLLE/PALS
- **Wired Trigger Remote** to delegate payload activation to a second operator



GET IN TOUCH

contact@sky-hero.com | 18 Rue d'Enghien
https://sky-hero.com | B-1080 Brussels - BELGIUM

