

Payload

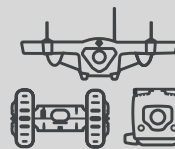
Light Diversionary System

POWERFUL MULTI-FUNCTION LIGHT DIVERSIONARY PAYLOAD, THAT PLUGS ONTO OUR COMPATIBLE sUAV/sUGV/POLE CAMERA HEAD TO PROVIDE THEM WITH A RANGE OF LIGHT AND LASER CAPABILITIES

Additional advanced technologies are often required to successfully achieve tactical objectives in complex indoor environments. For such situations, our sUGV, sUAV and pole camera head can extend their operational capabilities with dedicated compatible payloads.

Sky-Hero's **Light Diversionary Payload**, combines multiple powerful light sources, packed into a small, ruggedised, aviation-grade, aluminium shell with transparent injected plastic cover. The extremely powerful forward-facing torch or white LED strobe, the green laser pointer, and the fully programmable RGB LEDs, provide a strong tactical advantage from a safe distance.

Its control software is fully integrated into our compatible controller, **GCS MkII**.



Fits All Devices

The payload can be used interchangeably on each uncrewed vector: **Loki MkII, Sigyn MkI, Narfi MkI**



Plug and Go

Easy to install without tools and immediately operational thanks to Sky-Hero's self-adaptative algorithms and control features



Multifunctional

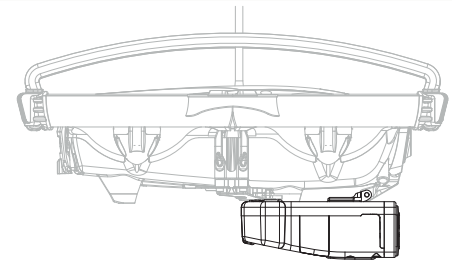
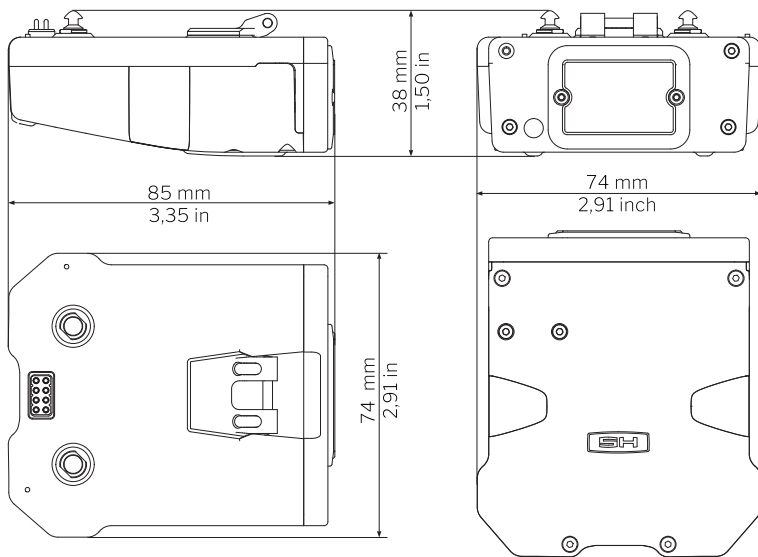
Distraction capabilities provided by strobe light; and operational assistance thanks to the blinking RGBs and the embedded laser



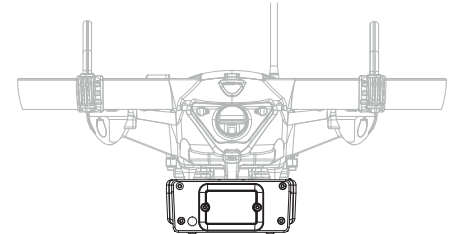
Light Design

Specifically designed to be hooked onto mobile platforms where weight and unnecessary complexity is kept to a minimum.

#1 SKY-HERO PAYLOAD CRADLE & VEHICLES HOOKING



Light Diversionary Payload mounted on **Loki MkII** Tactical sUAV



Weight sUAV Hook 26 g | 0,06 lb

Weight Cradle 140 g | 0,31 lb

Body material Aluminium & Polycarbonate

#2 LEDS & LASER TECHNICAL DETAILS

White LED
for spotlight & strobe modes

Luminous Flux 4500 lm
Electrical Power min 12 W
max 25 W

LASER
for designation mode

Color Green (505-530 nm)
Spot Size (at 10m) 5 mm | 0,20 in
Dimension \varnothing 8,5 x L30,5 mm
Output Power 4mW

RGB LEDS
for signaling mode

Red Luminous Flux max 210 lm
Green Luminous Flux max 420 lm
Blue Luminous Flux max 190 lm
White Luminous Flux max 532 lm

Bright lightning where you need it the most

#3 IN OPERATION

Our light diversionary payload provides uncrewed vehicle operators with new options in operational situations. It not only illuminates dark areas, it can also track a subject in total darkness, temporarily blinding or confusing them if required. It facilitates evidence collection that would be difficult to see in un-lit areas and can also deploy the green laser to designate targets. Finally, it can assist communication with your team or K9 unit through pre-set RGB light patterns.

Mounted on our **Loki MkII**, **Sigyn MkI** or **Narfi MkI** it assists operations in risky environments, helping your team solve complex missions.



GET IN TOUCH

contact@sky-hero.com | 18 Rue d'Enghien
https://sky-hero.com | B-1080 Brussels - BELGIUM

