



with **TYPHON[®]**

Payload

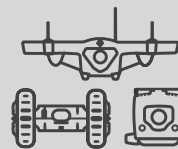
Sound Diversionary System

NON-LETHAL, RELOADABLE SOUND DIVERSIONARY PAYLOAD SYSTEM THAT PLUGS ONTO OUR COMPATIBLE sUAV/sUGV AND POLE CAMERA HEAD

Additional advanced technologies are often required to successfully achieve tactical objectives in complex under-roof environments. For such situations, Sky-Hero sUGV, sUAV and pole camera head can increase their operational capabilities by carrying dedicated payloads.

Our **Typhon's Sound Diversionary Payload**, provides operators with 5 x single shots or a 5 shot salvo; each measured at 165+Db, providing temporary distraction to assist with tactical entry, etc.

The control software for this payload is fully integrated into our compatible controller, the **GCS MkII**.



Fits All Devices

The payload can be used interchangeably on each uncrewed vector, **Loki MkII**, **Sigyn MkI** and **Narfi MkI**



Plug and Go

Easy to install without tools and immediately operational thanks to Sky-Hero's self-adaptative algorithms and control features



Non-Lethal

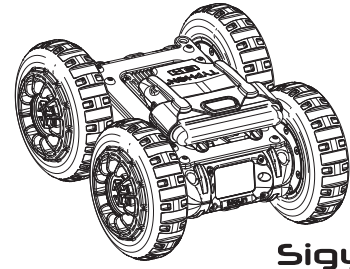
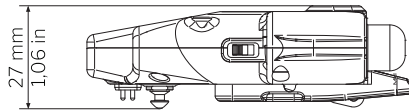
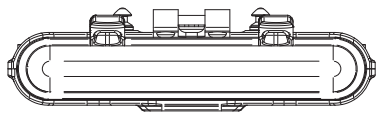
Non-lethal distraction device which neutralises the risks caused by conventional pyrotechnical devices



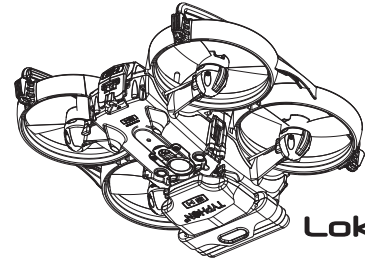
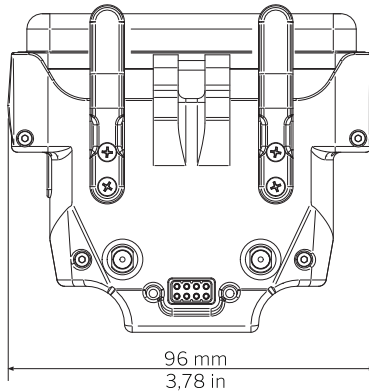
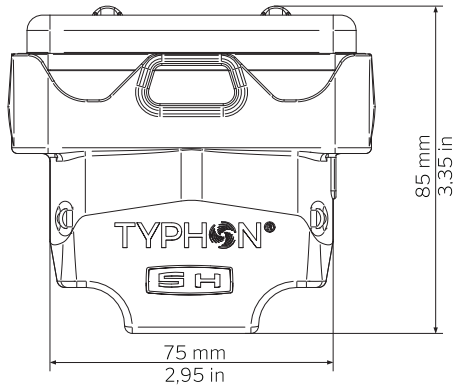
Light-Weight Design

Specifically designed to be attached to our mobile platforms where weight and unnecessary complexity is minimised

#1 SKY-HERO PAYLOAD CRADLE & VEHICLES HOOKING



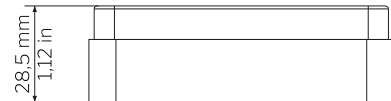
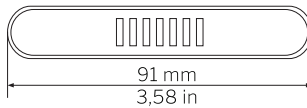
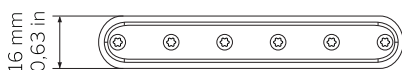
Sigyn



Loki

Weight sUAV Hook 26 g | 0,06 lb Weight Cradle 86 g | 0,19 lb Body material Aluminium 7075-T6 Aviation Grade

#2 TYPHON'S DETONATION CARTRIDGE



Weight 79 g | 0,17 lb Body material Black Anodised Aluminium 6082 Output 5X 165dB+(A) measured at 1 m

Same sound effect as a conventional percussion grenade or an automatic rifle

#3 IN OPERATION

The system can be initiated with a trigger command supplied directly from the **GCS MkII** operator or via an additional Trigger Remote system, wired to the GCS.

For maximum operational flexibility, the fully integrated GCS software allows the operator to select either single event or burst initiation of the **Typhon distraction cartridge**. The cable-free cartridges are easily and quickly inserted/removed by the operator without any tools.



GET IN TOUCH

contact@sky-hero.com | 18 Rue d'Enghien
<https://sky-hero.com> | B-1080 Brussels - BELGIUM

in sky-hero-sa
 YouTube SKY-HERO
 Instagram skyherotacticalrobots

