



Monitor

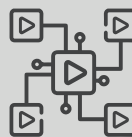
Tactical Wearable Screen

ROBUST & COMPACT MULTICHANNEL MONITOR, PROVIDING EACH TEAM MEMBER WITH A HIGH RESOLUTION 2.7 INCH SCREEN, MOUNTABLE ON ARM OR ANY SUPPORT TO ALLOW HANDS-FREE OPERATION

Once mounted on the wrist, this compact screen provides access to live-streamed audio/video intel from up to 4 separate Sky-Hero devices - **Loki MkII**, **Sigyn MkI** and **Narfi MkI**, whether they are in motion or in sentry mode.

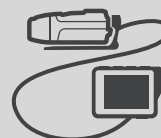
Via this additional monitor, each member of the team can be fed, real-time audio-video intel from any vehicle currently deployed by the operator.

Real-time delivered A/V information greatly facilitates tactical operations, enhances situational awareness, and enables faster response to operational risks and threats.



Up to 4 Streams

Team members switch between the A/V feed of deployed vehicles, by pressing one of the 4 channel buttons



Basic Controller

Basic setup of the Narfi MkI Pole Camera Head once these devices are cable-connected together



Sturdy Frame

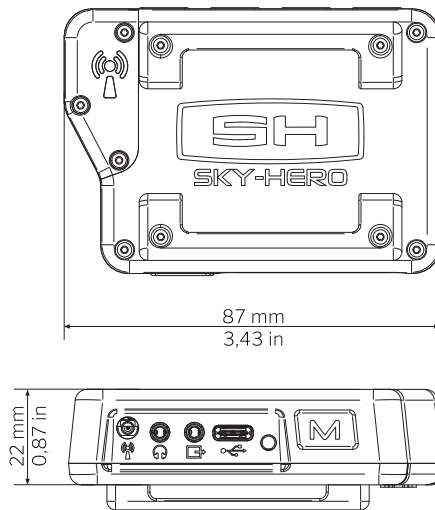
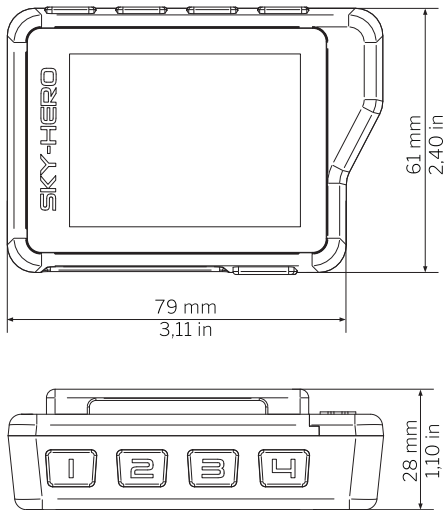
Built using high-grade aluminium & polycarbonate, further protected with 1mm Corning Gorilla Glass screen for extra durability



Bodyworn Design

Ergonomic shape and easy fastening systems, to be wrist-worn in combination with other tactical gear

#1 BLUEPRINT



#2 SPECS

Monitor Weight	145 g 5 oz
Power Supply	Li-ion Cell 3.7V
Embedded & Rechargeable	1800mAh
Run time	180 min
Housing Material	Polycarbonate & Aluminium
Ops Temperature	-20°C to 50°C -4°F to 122°F
Frequency Range	Same as main control station
Video Descrambling	FPGA 8 Bit
Avg. Range	LOS 1,5 km 1 mi NLOS 150 m 164 yd
Monitor Diagonal Size	2,7 in
Monitor Resolution	960x240 px
Connections	Power USB-C Audio-Video Out jack 2.5 Headphone jack 2.5 Ext. antenna MMCX

#3 IN OPERATION

- External MMCX antenna connector for increased range using an additional external plug-in antenna
 - Universal attachment system with **multiple mounting possibilities** ; arm watch, picatinny rail, second GCS screen ...
 - 4 easy-access buttons to **quickly select pre-programmed frequencies** and enable instant switch between the feed of **up to 4 deployed vehicles/pole cameras**
 - **Easy to use visual interface** to change the pre-programmed frequencies or modify the screen parameters
 - Equipped with **Sky-Hero's 8-bit FPGA de-scrambling technology**
 - 2 Embedded jack connectors to connect headphones and/or to externally stream the Audio/Video feed
 - USB-C connector for charging the embedded battery, connecting an external battery or basic control of the Narfi Mkl Pole Camera Head

Beware of what's hiding around the corner!



GET IN TOUCH

contact@sky-hero.com
https://sky-hero.com

18 Rue d'Enghien
B-1080 Brussels - BELGIUM

in sky-hero-sa
YouTube SKY-HERO
Instagram skyherotacticalrobots

An
AXON
Company